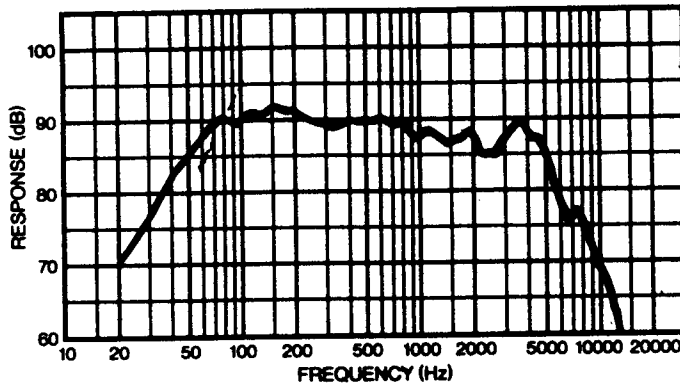


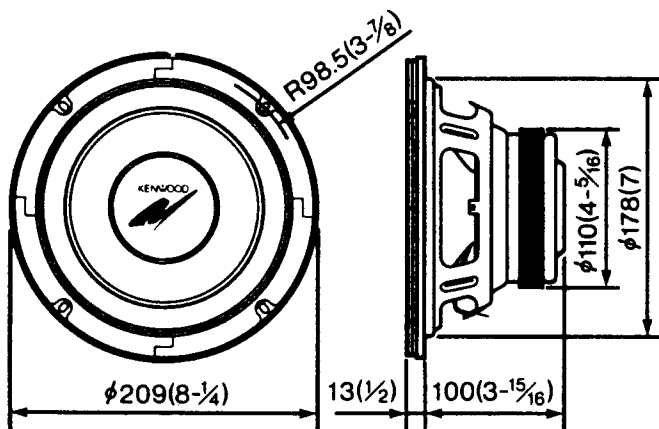
Technical Specifications

| | SYMBOL | UNIT | KFC-W2000 |
|------------------------------------|-----------------|--------------|--------------------------|
| Nominal Impedance | Z | ohms | 4 |
| DC Resistance | R _E | ohms | 3.16 |
| Voice Coil Inductance | L _{BM} | μH | 1.02 × 10 ³ |
| Resonant Frequency | F _{SO} | Hz | 40 |
| Resonant Frequency Impedance | Z _{SO} | ohms | 53.0 |
| Mechanical Q Factor | Q _{MS} | | 14.112 |
| Electrical Q Factor | Q _{ES} | | 0.739 |
| Total Q Factor | Q _{TS} | | 0.702 |
| Volume Acoustic Compliance | V _{AS} | liter (cuft) | 14.27 0.52 |
| Mechanical Resistance | R _{MS} | kg/s | 0.762 |
| Moving Mass | M _{MS} | g | 33.25 |
| Suspension Compliance | C _{MS} | m/N | 0.281 × 10 ⁻³ |
| Emissive Diameter of the Diaphragm | D | mm | 0.154 |
| Voice Coil Diameter | d | mm | 47.70 |
| Voice Coil Layers | n | | 2 |
| Flux Density | B | T | 0.62 |
| Force Factor | BL | T·m | 6.312 |
| Diameter of Magnet | A | mm | 110 |
| Weight of Magnet | | kg | 0.58 |
| Total Flux | Φ | Wb | 0.86 × 10 ⁻³ |
| Peak Excursion | X max | mm | 4.2 |

■ Frequency response



■ Dimensions



Unit: mm(inch)